



CVREADY

HELPING EMPLOYEES STAY SAFE

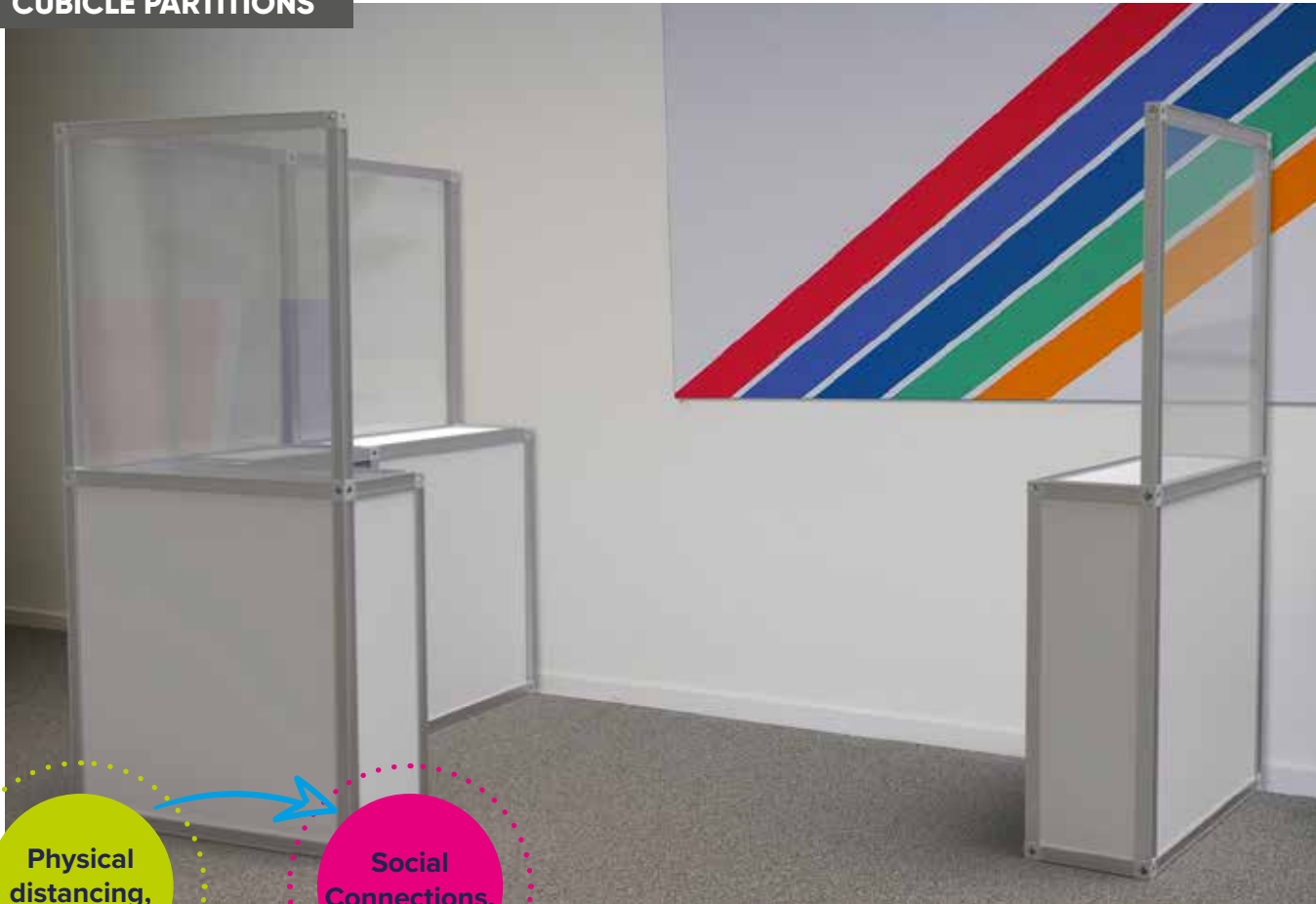


www.servicegraphics.co.uk

Part of PARAGON Group

Workplace Hygiene

CUBICLE PARTITIONS



Give your office an added level of professionalism with our exciting new range of workplace deco! Transform your office with a range of features including:

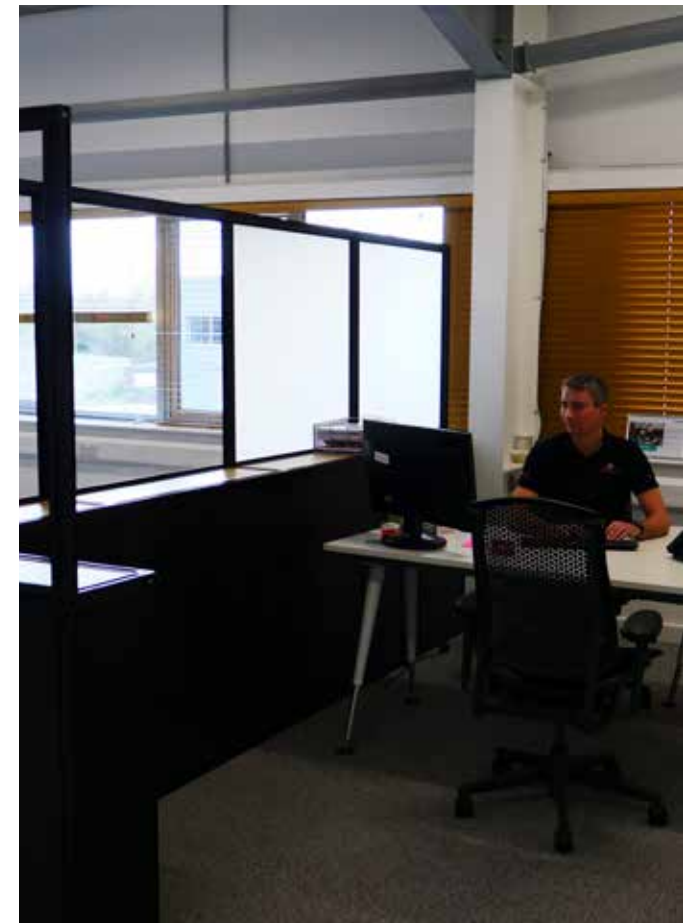
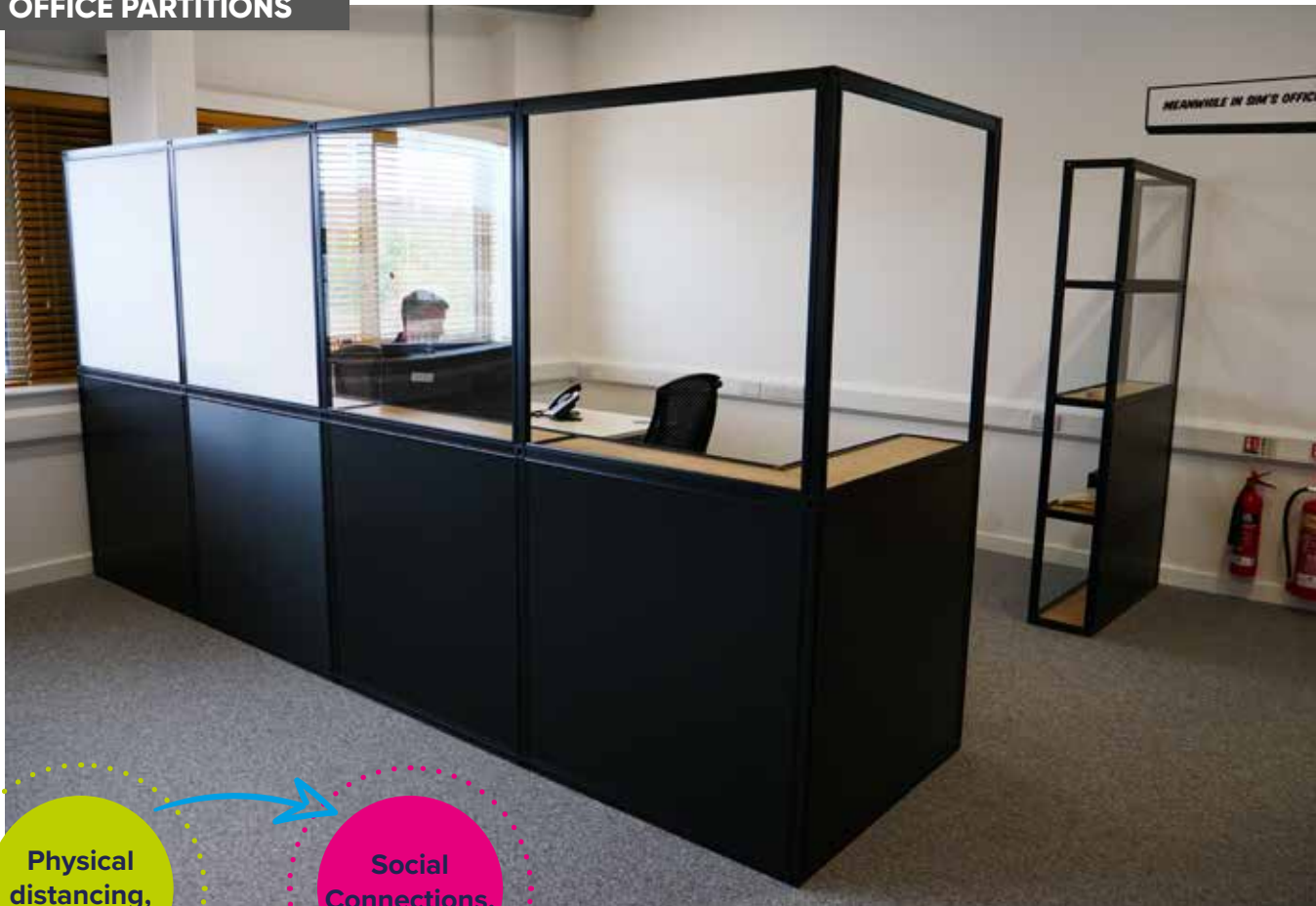
- Self-build desk partitions
- Flexible walls and partitions
- Temporary office cubicles
- Modular room dividers
- Versatile shelving units
- Functional storage areas

Why choose CV Ready?

- No tools required
- Quick and easy to build
- Modular and reconfigurable
- Fast delivery
- Easy self-build or install service
- Rental options available

Workplace Hygiene

OFFICE PARTITIONS



Physical distancing,

Social Connections.

Workplace Hygiene



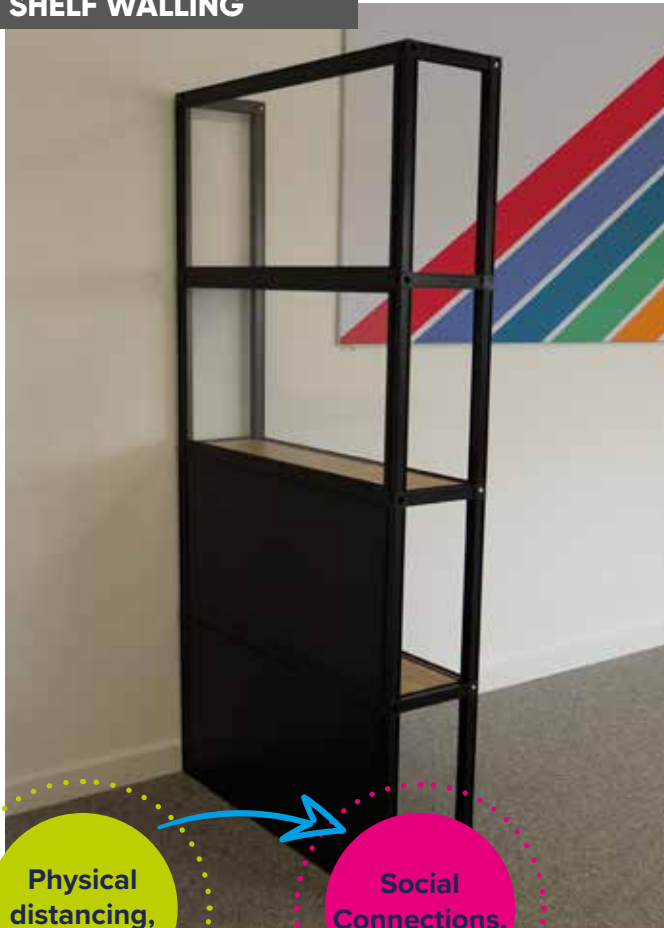
Physical
distancing,

Social
Connections.



Workplace Hygiene

SHELF WALLING

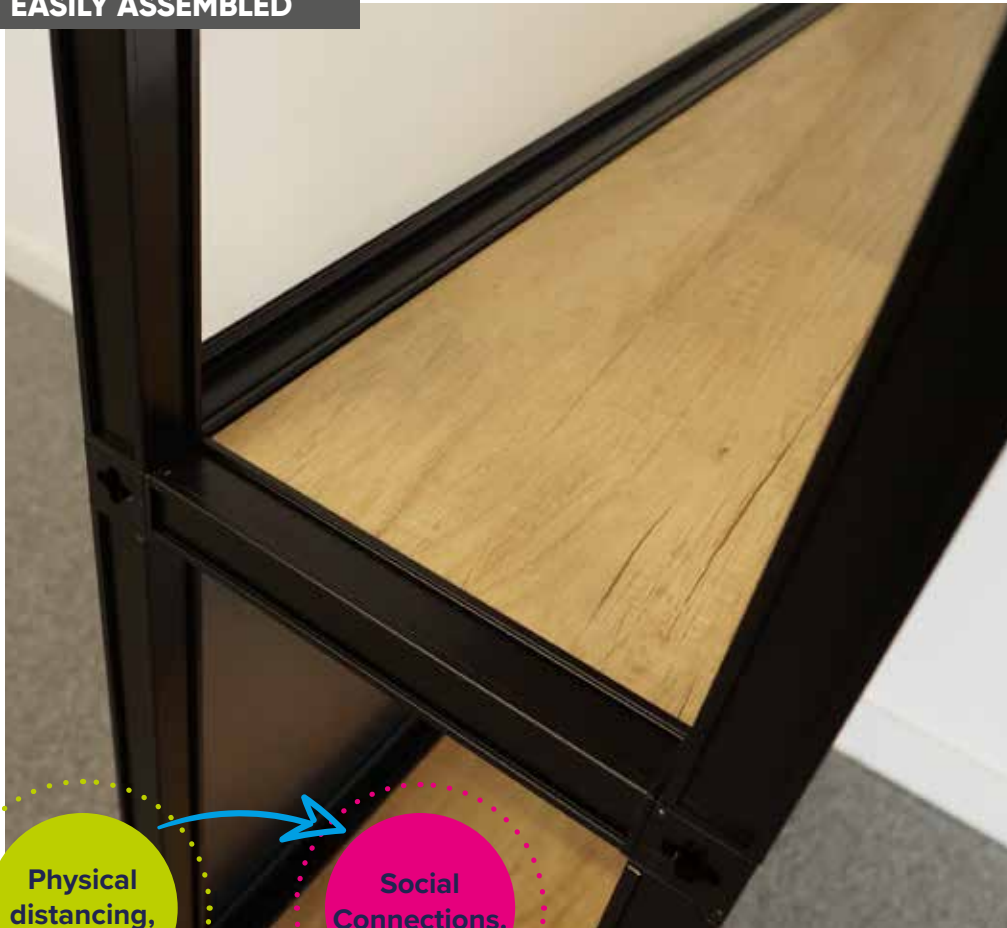


Physical
distancing,

Social
Connections.

Workplace Hygiene

EASILY ASSEMBLED

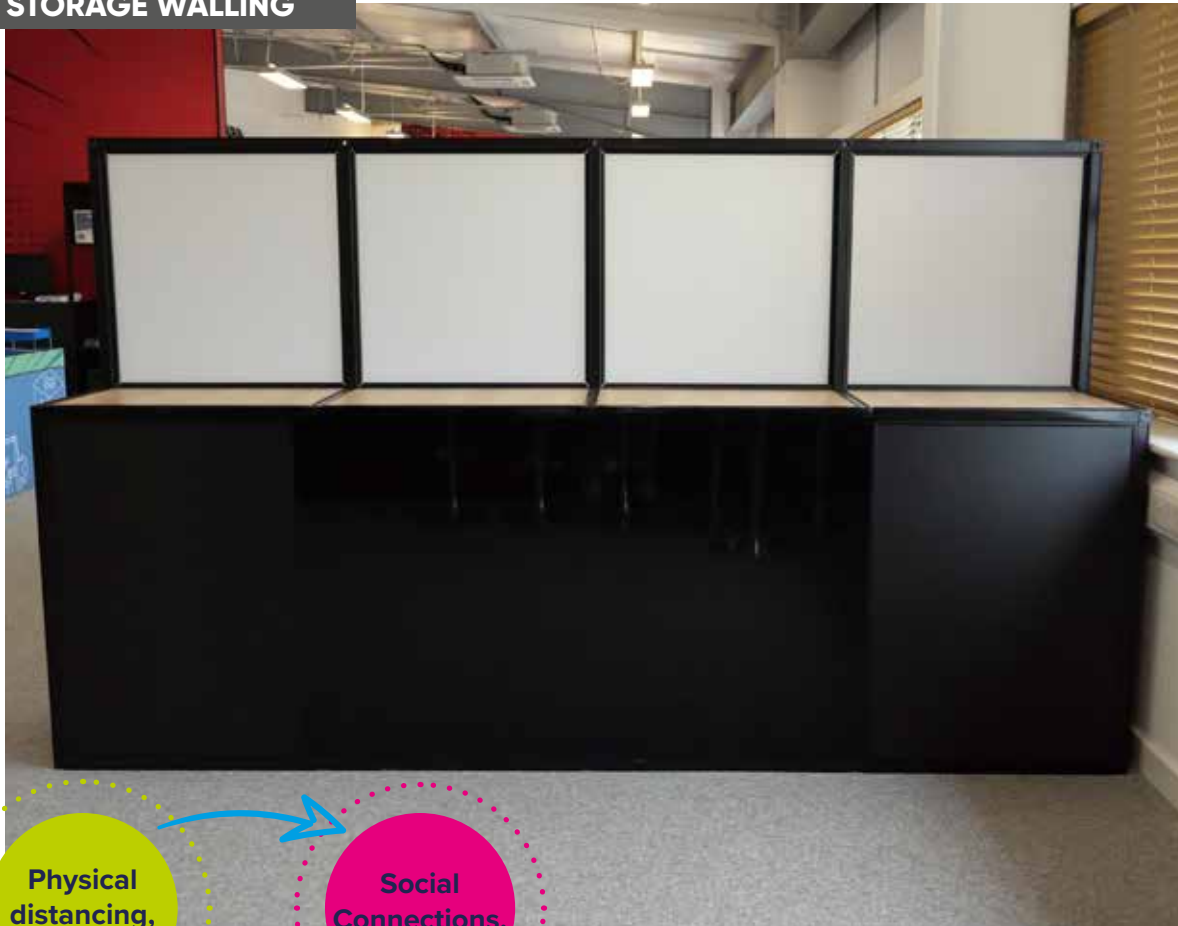


Physical
distancing,

Social
Connections.

Workplace Hygiene

STORAGE WALLING



Physical
distancing,

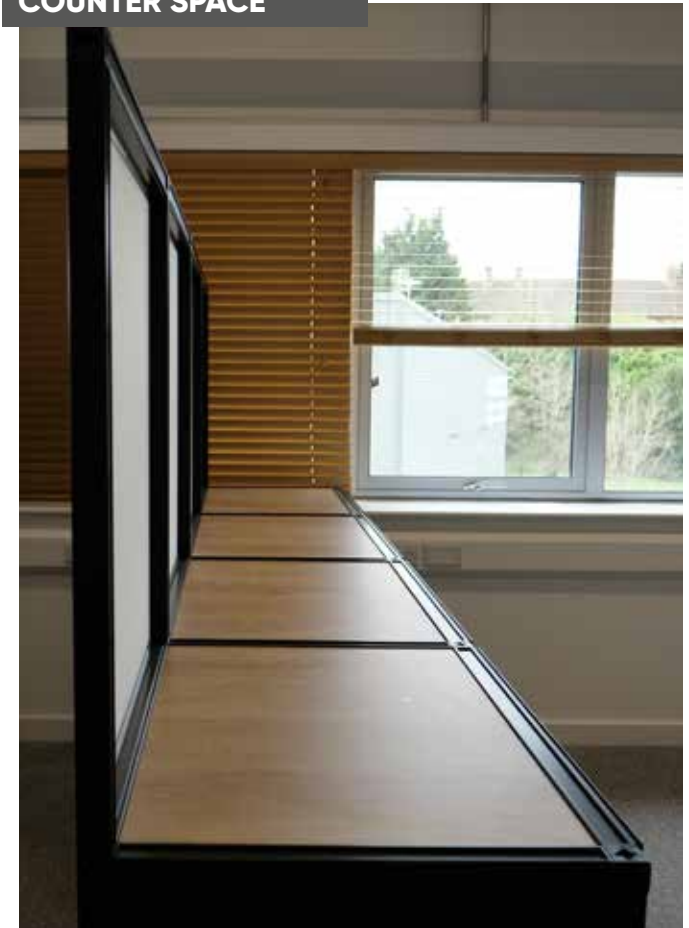
Social
Connections.

Workplace Hygiene

SLIDING DOORS



COUNTER SPACE



Physical
distancing,

Social
Connections.

Workplace Hygiene

WINDOWED WALLING



Physical
distancing,

Social
Connections.

Workplace Hygiene

DESK PARTITIONS



BEFORE



AFTER

Physical
distancing,

Social
Connections.



Workplace Hygiene

SIMPLE DESIGN



RECONFIGURATION



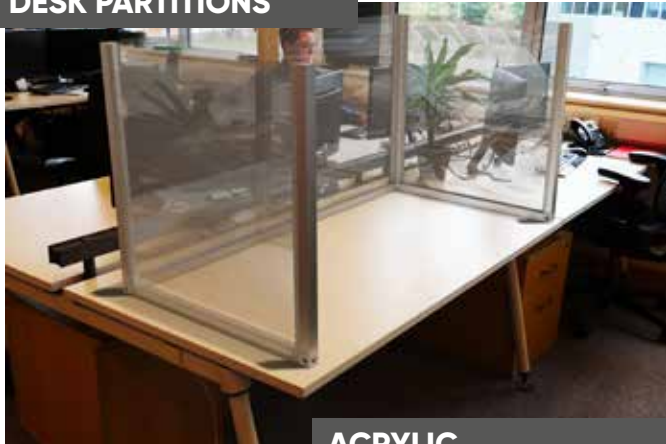
BEFORE



AFTER

Workplace Hygiene

DESK PARTITIONS



ACRYLIC



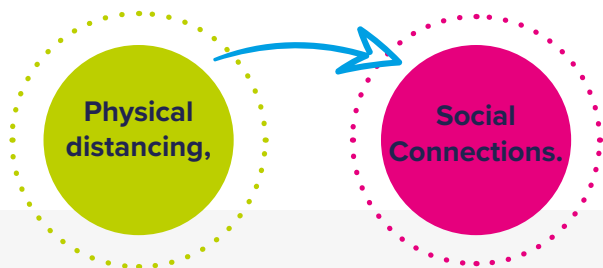
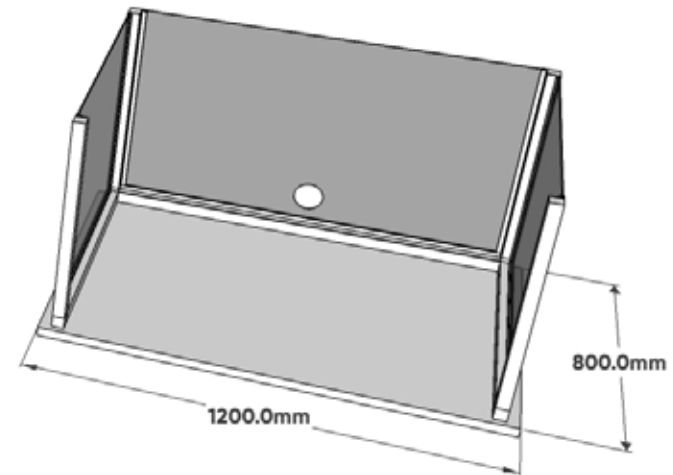
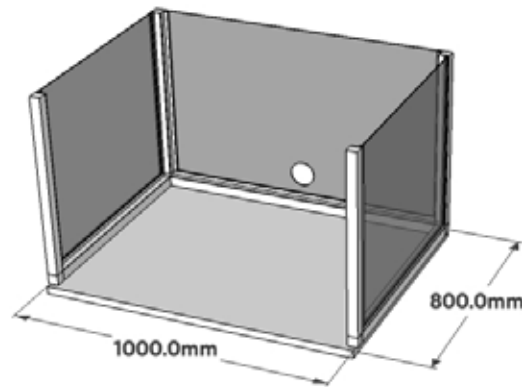
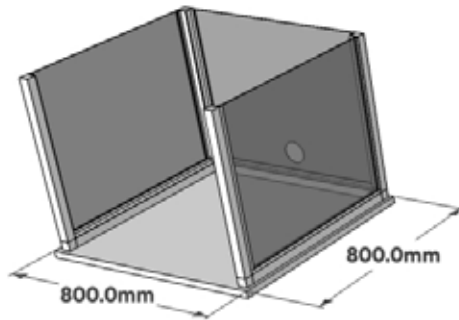
FABRIC

TRANSPORTABLE STORAGE



Workplace Hygiene

DESK PARTITIONS



Workplace Hygiene – Social Distancing Floor Stickers



Designed and manufactured to combat the spread of Corona Virus (COVID-19) our Social Distancing Floor Stickers allow retailers to ensure customers are kept within the social distancing rules of 2m for queues at entrances and checkout areas.

They can be made to order and supplied to any specific dimensions. You may wish to use them alongside queue management barriers or simply position them in front of counters to manage how close customers get to staff and service areas.

